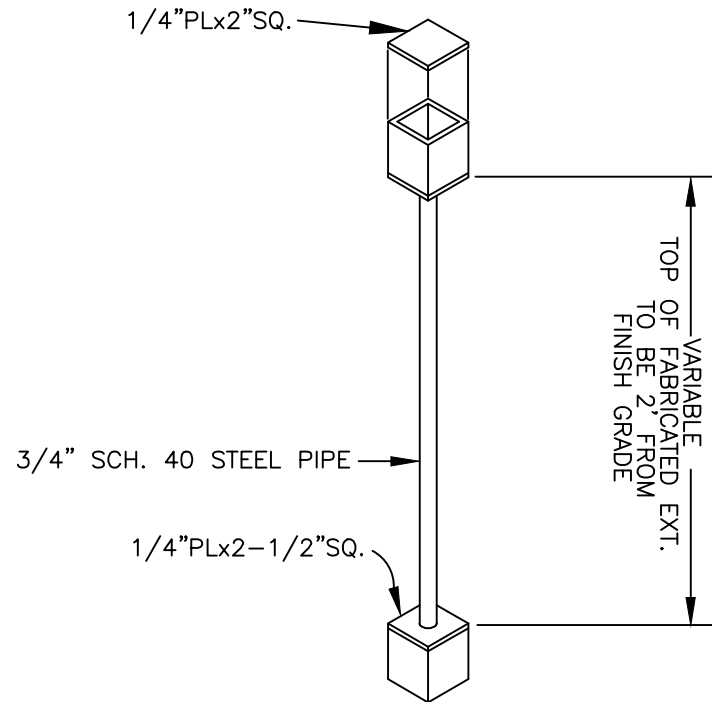


TRAFFIC VALVE BOX

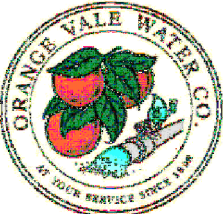


VALVE OPERATING NUT EXTENSION

REQUIRED WHERE VALVE NUT IS IN EXCESS OF 10 FEET BELOW FINISH GRADE.

NOTES:

1. VALVE BOX AND RISER SHALL BE SET PLUMB AND CENTERED OVER WATER VALVE NUT.
2. SET VALVE BOX TO FINAL FINISH GRADE. IN AREAS WHERE THE FINISH GRADE HAS NOT BEEN DEFINED, PLACE 4"X4" LOCATING POST WITHIN 1 FOOT OF VALVE BOX. POST SHALL BE 6 FEET IN LENGTH AND BURIED 3 FEET. PAINT POST BLUE FOR POTABLE WATER.
3. LID SHALL BE LABELED WITH CAST OR BEAD WELDED LETTERS: "WATER"

ORANGE VALE WATER COMPANY		
	VALVE BOX INSTALLATION AND OPERATING NUT EXTENSION	
	SCALE: NONE DATE: 05/12	OV-10