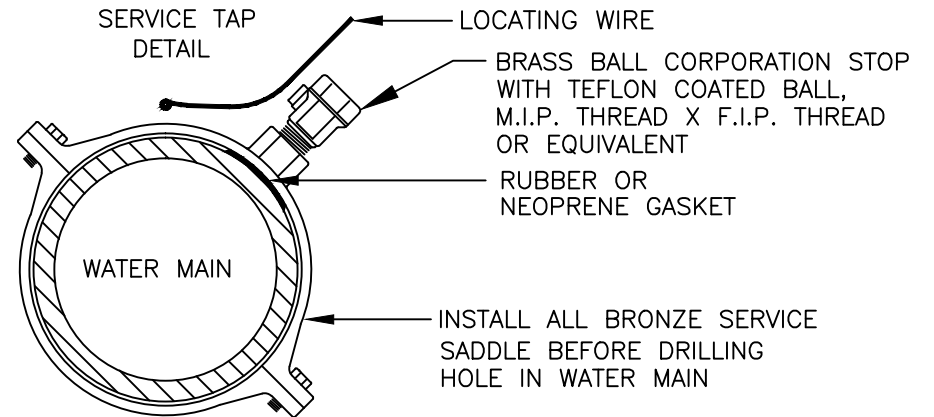


NOTES:

1. CORPORATION STOP, METER CURB STOP AND WATER SERVICE LINE SHALL BE THE SAME SIZE.
2. SERVICE SADDLES SHALL BE A SINGLE WIDE BRONZE STRAP FOR 1" AND 2" SERVICES. BRONZE "U" BOLTS MAY BE USED ON DUCTILE IRON AND OTHER RIGID PIPE WATER MAINS.
3. SERVICE SADDLES, CORPORATION STOPS, COUPLING NUTS, BOLTS, AND ALL APPURTENANCES SHALL BE BRONZE.
4. SERVICE TAP SHALL BE MADE BETWEEN 20 DEGREES TO 40 DEGREES ABOVE THE SPRING LINE OF THE PIPE.
5. SERVICE TAPS SHALL BE A MINIMUM OF 18" FROM ANY JOINT OR OTHER SERVICE SADDLE.
6. INSULATED LOCATING WIRE SHALL BE PROVIDED ON ALL SERVICE LINES, PER DRAWING OV-11. WIRE SHALL BE CONNECTED TO LOCATING WIRE ALONG WATER MAIN FOR CONTINUITY.
7. ALL BURIED METAL SHALL BE ENCASED WITH 8 MIL POLYETHYLENE SO THAT NO SOIL IS IN CONTACT WITH METAL.



ORANGE VALE WATER COMPANY		
	1"-2" WATER SERVICE INSTALLATION	
	SCALE: NONE DATE: 05/12	OV-15A