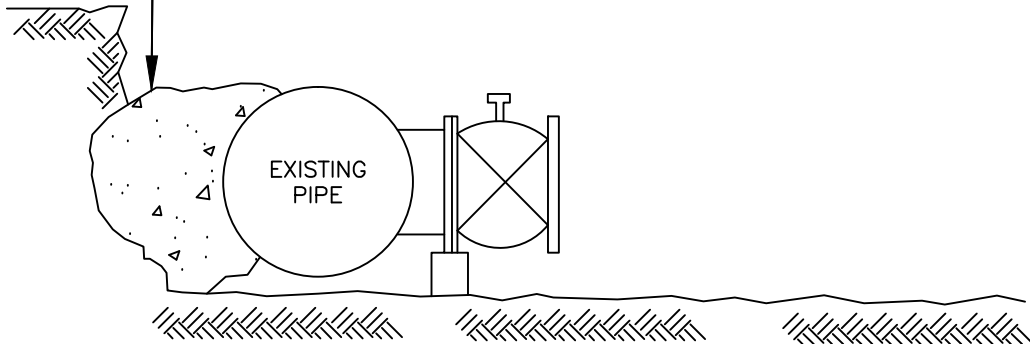
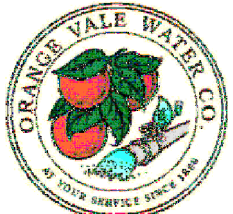


CONTRACTOR TO POUR THRUST BLOCK AS REQUIRED

NOTES TO CONTRACTOR

1. VALVES SHALL BE FLANGED ONTO TEE.
2. TAPPING SADDLE SHALL HAVE A TEST PLUG.
3. CONTRACTOR SHALL BE RESPONSIBLE FOR ALL PERMITS AND VERIFICATION OF EXISTING UTILITIES.
4. SADDLE SHALL BE TESTED FOR LEAKAGE BY CONTRACTOR PRIOR TO TAPPING.
5. TAPPING SLEEVES ARE TO BE ALL STAINLESS STEEL.
6. GATE VALVE IS TO BE COMPRESSION RESILIENT SEATED GATE VALVE WITH 2" OPERATING NUT.
7. ALL BURIED METAL SHALL BE ENCASED WITH 8 MIL POLYETHYLENE SO THAT NO SOIL IS IN CONTACT WITH METAL.



<b>ORANGE VALE WATER COMPANY</b>		
	<b>STANDARD PIT DIMENSIONS FOR HOT TAPS 3" AND LARGER</b>	
	SCALE: NONE DATE: 05/12	<b>OV-2</b>