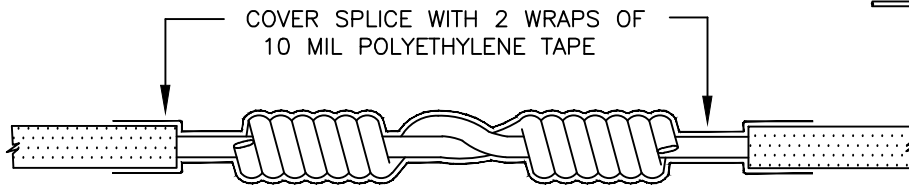
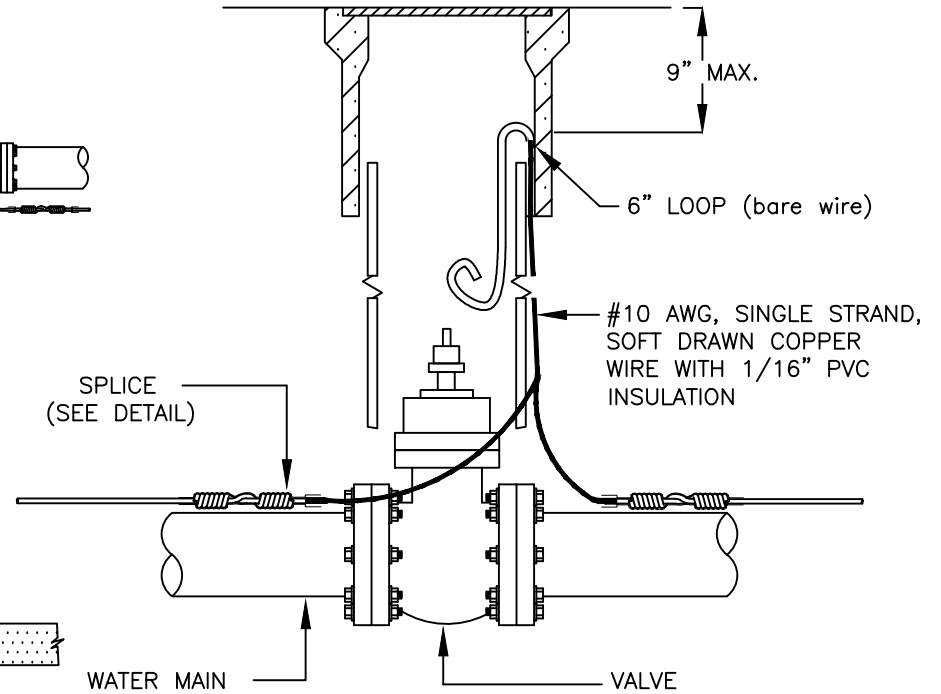


TYPICAL LAYOUT



SPLICE DETAIL

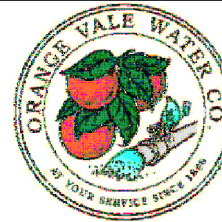


VALVE DETAIL

NOTES:

1. WIRE SHALL BE CONTINUOUS BETWEEN VALVE BOXES, EXCEPT AS NOTED.
2. LOCATING WIRE SHALL BE LAID ON TOP OF THE WATER MAIN, AND SHALL BE TAPED TO IT OR THE POLYETHYLENE ENCASEMENT (IF THE PIPE IS DUCTILE IRON) AT 4' INTERVALS AND TAPED AT ALL FITTINGS. TAPE SHALL BE 10 MIL POLYETHYLENE.
3. CONTRACTOR SHALL CONDUCT A CONTINUITY TEST ON ALL LOCATING WIRE SPLICES.
4. ALL SPLICES SHALL BE SOLDERED OR APPROVED WRAPPED MECHANICAL CONNECTOR.

ORANGE VALE WATER COMPANY



**LOCATING WIRE
FOR WATER MAINS AND
SERVICES**

SCALE: NONE
DATE: 05/12

OV-11